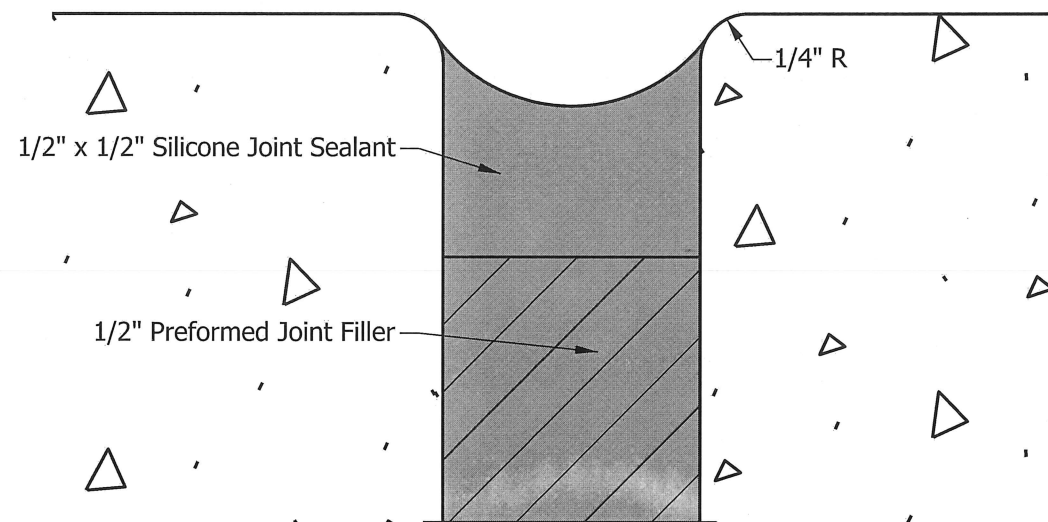
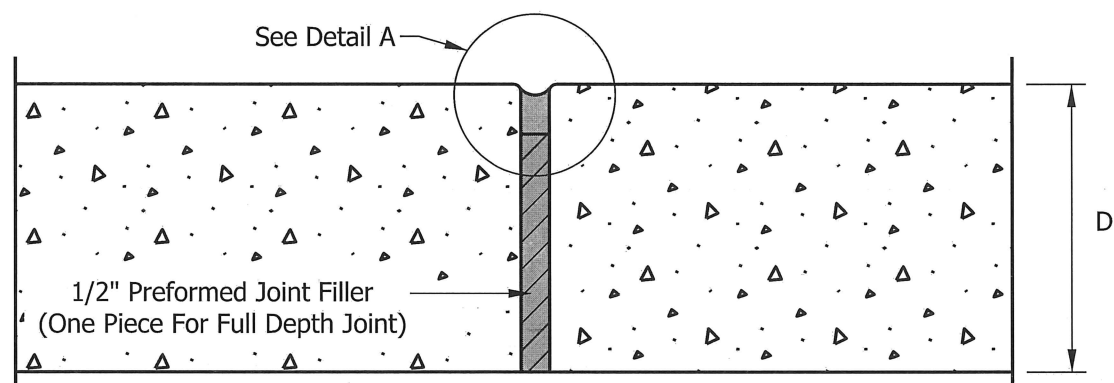


NOTES:

1. Dimension D is equal to the full depth of the sidewalk or curb ramp.



DETAIL A



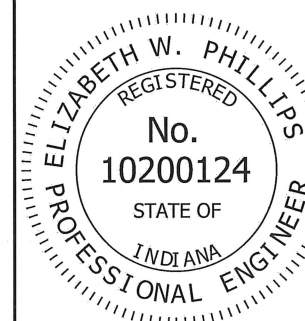
SIDEWALK EXPANSION JOINT

INDIANA DEPARTMENT OF TRANSPORTATION

SIDEWALK EXPANSION JOINT

SEPTEMBER 2015

STANDARD DRAWING NO. E 604-CCSJ-01



/s/ Elizabeth W. Phillips 12/02/14
DESIGN STANDARDS ENGINEER DATE

/s/ Mark A. Miller 12/02/14
CHIEF ENGINEER DATE